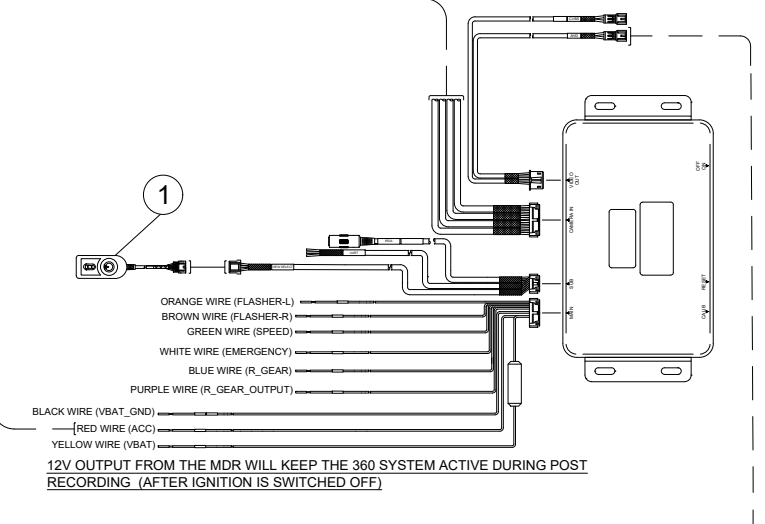
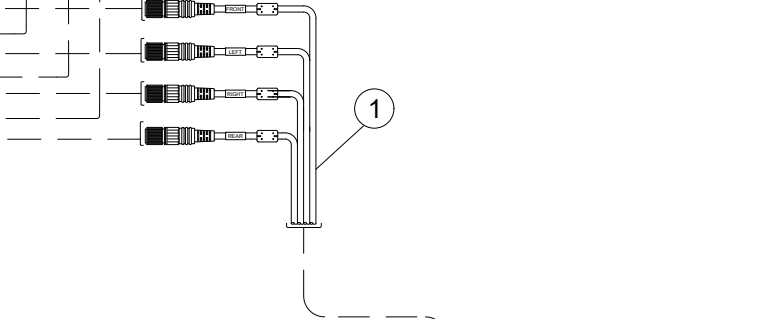
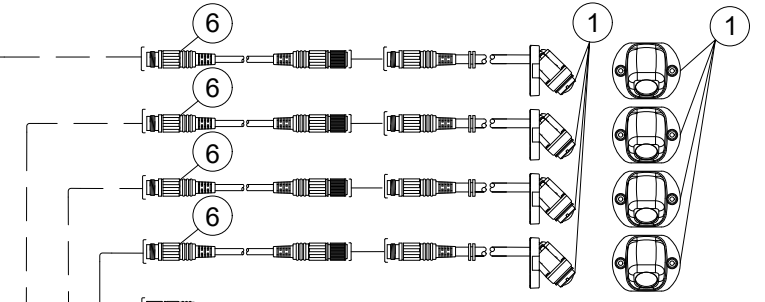
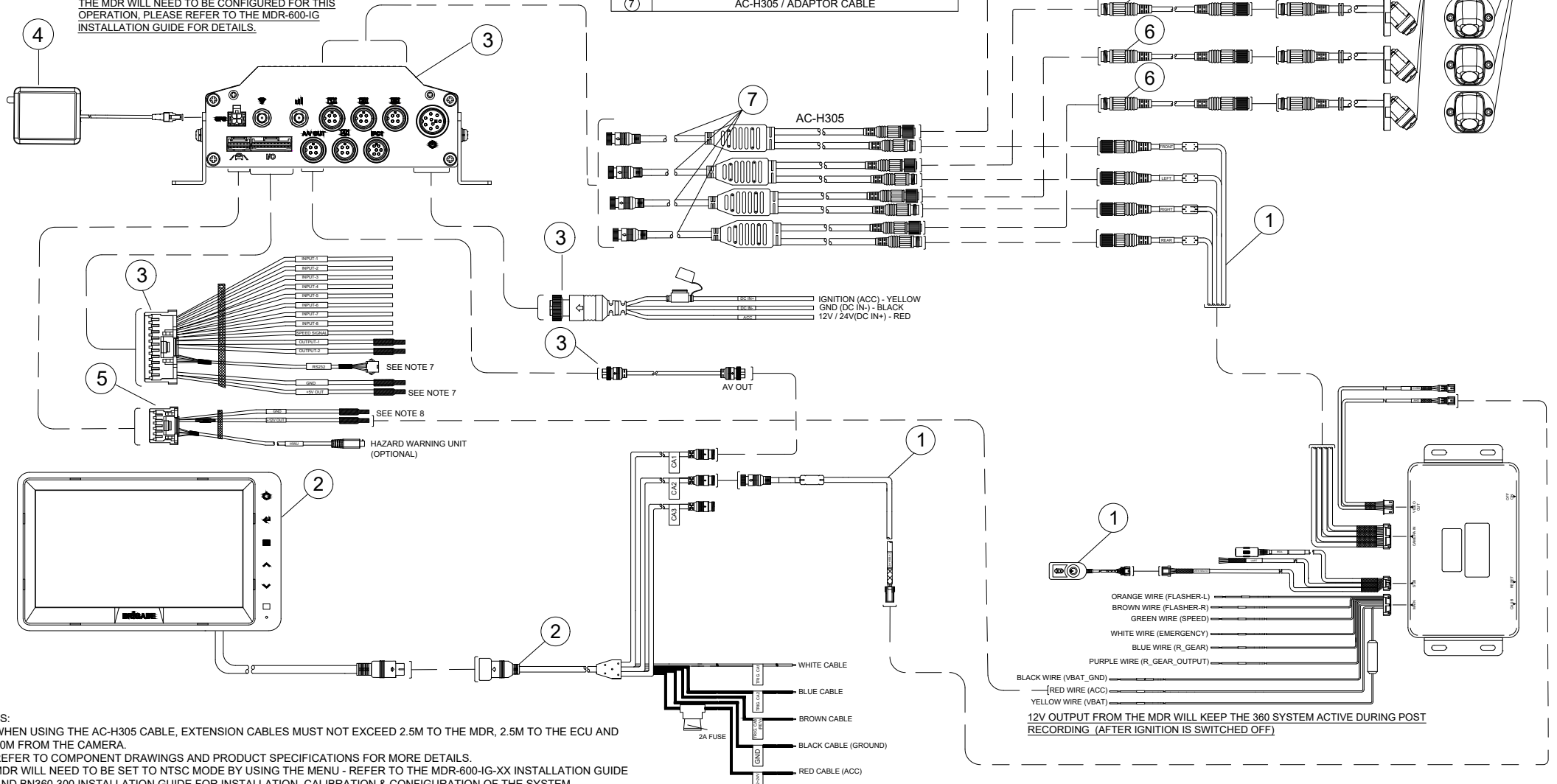


ITEM	MODEL / DESCRIPTION
①	BN360-300 / BACKKEY AHD 360 SELECT
②	VBV-770HM / MONITOR KIT
③	MDR-641XX-X-XXX / MDR-600 4G (OPTIONAL) & WIFI (OPTIONAL), 4 ANALOGUE CHANNELS, 1 IP CHANNEL, 500GB / 1TB / 2TB CMR / SSD
④	MDR-ANT-GPS-03 / THIRD GENERATION MDR GPS ANTENNA
⑤	MDR-AC-HWU-01 / MDR ADAPTER CABLE FOR HAZARD WARNING UNIT
⑥	BN360-HXXX / CAMERA CABLE
⑦	AC-H305 / ADAPTOR CABLE

Revision Notes				
R1				
APA: -	Drawn:-	Checked:-	Approved:-	Date: -

FOR RECORDING AFTER IGNITION IS SWITCHED OFF, THE MDR WILL NEED TO BE CONFIGURED FOR THIS OPERATION, PLEASE REFER TO THE MDR-600-IG INSTALLATION GUIDE FOR DETAILS.



- NOTES:
1. WHEN USING THE AC-H305 CABLE, EXTENSION CABLES MUST NOT EXCEED 2.5M TO THE MDR, 2.5M TO THE ECU AND 20M FROM THE CAMERA.
 2. REFER TO COMPONENT DRAWINGS AND PRODUCT SPECIFICATIONS FOR MORE DETAILS.
 3. MDR WILL NEED TO BE SET TO NTSC MODE BY USING THE MENU - REFER TO THE MDR-600-IG-XX INSTALLATION GUIDE AND BN360-300 INSTALLATION GUIDE FOR INSTALLATION, CALIBRATION & CONFIGURATION OF THE SYSTEM.
 4. BN360-LXXX CABLE LENGTH WILL BE DEPENDANT ON APPLICATION.
 5. VBV-H4XX HD EXTENSION CABLE REQUIRED TO CONNECT TO MONITOR DEPENDING ON APPLICATION.
 6. TRIGGER CONNECTIONS DEPENDENT ON APPLICATION.
 7. REFER TO THE MDR-600-IG-XX INSTALLATION GUIDE FOR DETAILS OF ADDITIONAL CONNECTION.
 8. THE MDR-AC-HWU-01 DOES NOT COME AS PART OF THE STANDARD KIT, IT IS TO BE PURCHASED SEPARATELY.

PROPRIETARY NOTICE
 THIS DESIGN AND TECHNICAL INFORMATION APPEARING ON THIS DRAWING IS THE PROPERTY OF BRIGADE ELECTRONICS, AND IS DISCLOSED IN CONFIDENCE. IT IS NOT TO BE COPIED, REPRODUCED, REVEALED TO OR EXPROPRIATED BY OTHERS, EITHER IN WHOLE OR IN PART WITHOUT THE EXPRESS WRITTEN CONSENT OF BRIGADE ELECTRONICS.

BRIGADE
 www.brigade-electronics.com

Assembly Pl Approval N/A	Approved by A. KEBEDE	Checked by S. GOVENDER	Drawn by F. ADEMUJIMI
Angle of Projection 	Units mm	Scale N/A	Released 02/12/22
	Status RELEASED	SELECT AHD 360 WITH MDR-641	
	Part No N/A	BE-004699-00-22	